

快速混合造粒機

SUPER MIXER GRANULATOR



生產型
Production Size



已申請專利
Patented

實驗型
Laboratory Size

原理介紹 +

利用混合葉片將粉末和液狀之結合劑攪拌捏合，因流動成漩渦並聚結成塊，再經過高速切刀，將流動之產品切成均勻之顆粒。

適用產業 +

- 生技／製藥：打錠前之混合造粒粉末混合。
- 中藥：粉末和浸膏之混合攪拌。

功能 +

- 混合：粉末與粉末之混合。
- 造粒：粉末加入液狀結合劑之造粒。

THEORY +

Inside the cone-shaped vessel, the main impeller mix the powder into fluidized vortex and form lumps with the binder solution. then the high speed chopper cut the lumps into even granules by high speed action.

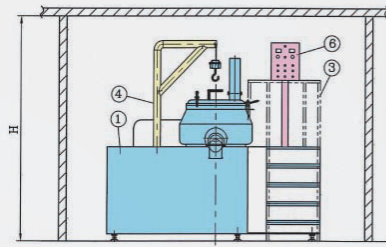
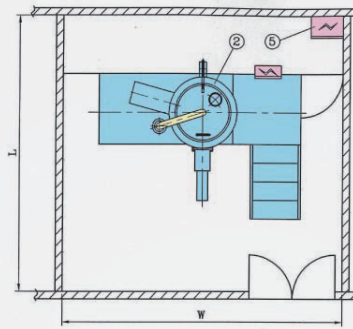
APPLICATION +

- **Bio-tech / Pharmaceutical:** powder mixing and granulating before tableting.
- **Chinese medicine:** powder and soakage plaster mixing.
- **Food:** seasoning mixing and granulating.
- **Chemical:**
 - Chemical material mixing and granulating.
 - Plastic powder mixing and granulating.
 - Electronic metal powder mixing and granulating.

FUNCTION +

- **Mixing:** powder and powder.
- **Granulation:** powder and binder solution.

流程圖 | FLOWCHART +



- 1. Frame
- 2. Mixer Tank
- 3. Ladder
- 4. Elevator
- 5. Control system
- 6. Operation Box



中型
Medium

特點 +

- 氣動式排料方式, 密閉性良好, 操作簡易, 清洗方便。
- 混合均勻度高, 比例懸殊也能輕易混合均勻。
- 混合造粒時間短, 約5 ~ 10min / batch 即可完成。
- 桶蓋採用AIR氣胎加壓, 密閉性良好。
- 設計和製造均合乎cGMP規範及美國FDA要求。
- 特殊設計之空氣軸封, 且壓縮空氣經過一只精密過濾器, 形成保護氣室, 可有效防止運轉中粉末掉入主軸與切刀的轉軸, 而產生污染。

FEATURE +

- High uniformity, very different proportion also can uniformly mixing.
- Short mixing time, about 5 ~ 10 min/batch finished.
- Good tightness, use air bag to clamp the cover.
- Multi safety interlock device, high safety.
- Optional equipment for different product feature.
- Multi functions of mixing, granulating and drying can produce hormone or anti-cancer medicine.
- All the design and manufacture are qualified cGMP standard and FDA requirement.

規格表 | SPECIFICATION +

型號 Model	全容積 Full Volume (L)	工作容積 Work Volume (L) (40%-80%)	產能: 公斤/批次 Capacity: Kgs/Batch (B/D:0.5)	尺寸 Size(WxLxH)(MM)
YS-MG-1	1	0.4-0.8	0.2-0.4	310X560X753
YS-MG-5	5	2-4	1-2	350X600X800
YS-MG-20	20	8-16	4-8	500X1360X1210
YS-MG-100	100	40-80	20-40	700X1600X1350
YS-MG-150	150	60-120	30-60	850X1900X2100
YS-MG-250	250	100-200	50-100	900X2400X2500
YS-MG-300	300	120-240	60-120	2800X2900X3000
YS-MG-400	400	160-320	80-160	2900X3100X3500
YS-MG-600	600	240-480	120-240	3000X3300X3900
YS-MG-800	800	320-640	160-320	3100X3500X4000
YS-MG-1000	1000	400-800	200-400	3200X3800X4100
YS-MG-1200	1200	480-960	240-480	3300X4000X4300

*Above MG-250 with ladders. *Capacity based on B/D:0.5